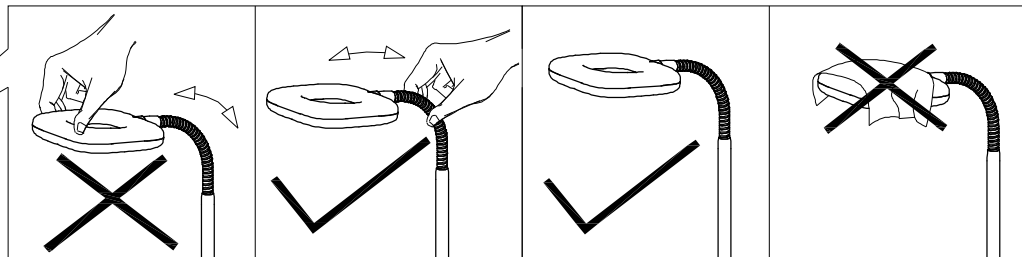
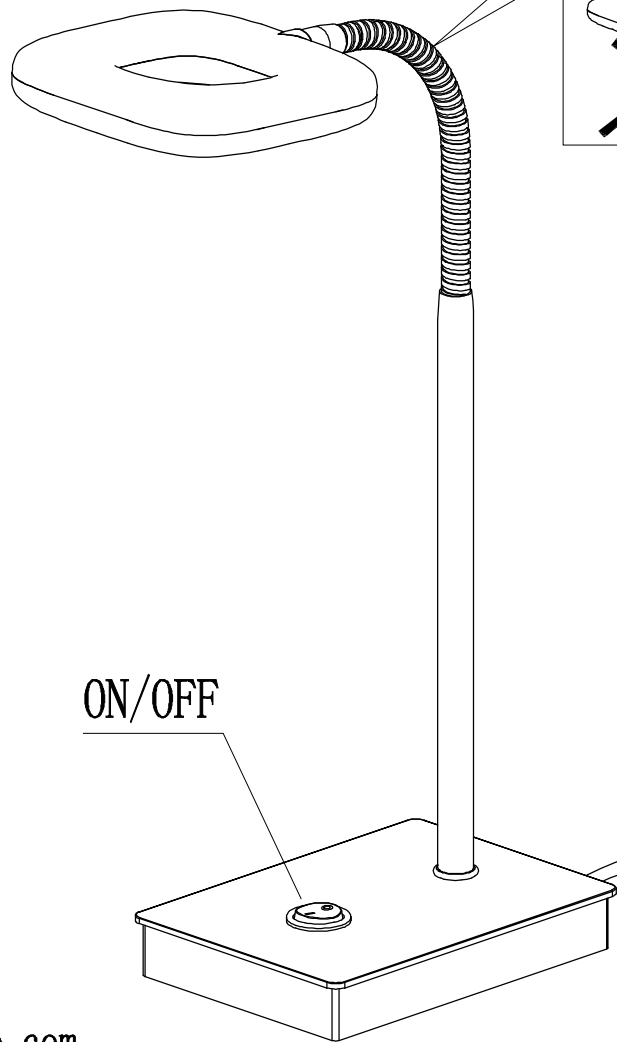


B

A

OFF



ON/OFF

C

ON

